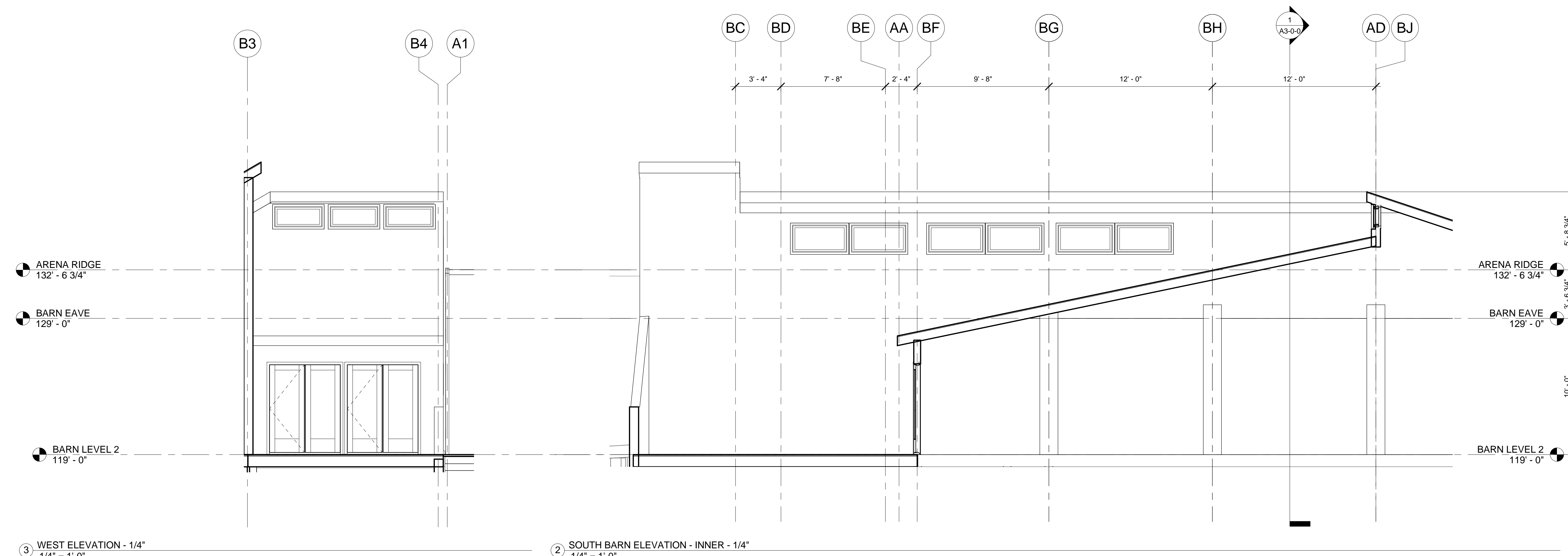


WILDSTAR FARM EQUESTRIAN FACILITY

SHERBORN MASSACHUSETTS

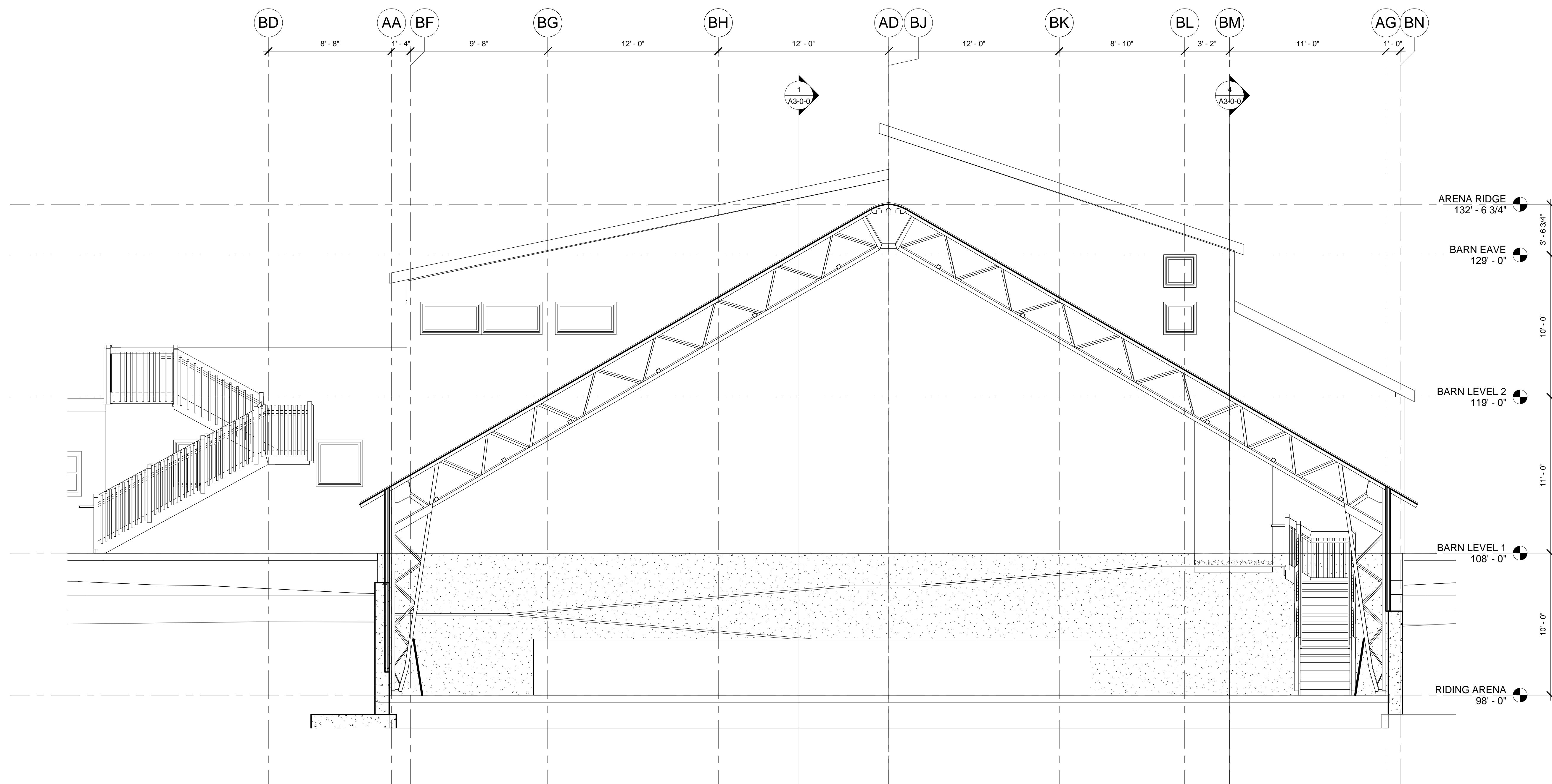


Polly Kornblith and Michael Newman
19 Nason Hill Lane
Sherborn, Massachusetts, 01770



3 WEST ELEVATION - 1/4"
1/4" = 1'-0"

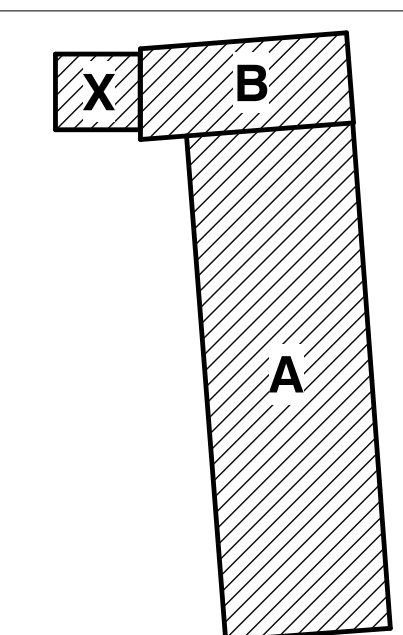
2 SOUTH BARN ELEVATION - INNER - 1/4"
1/4" = 1'-0"



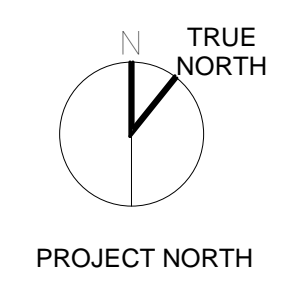
1 SOUTH ELEVATION BARN - OUTER - 1/4"
1/4" = 1'-0"

© COPYRIGHT 2017 JAMES T. GUARINO CONSULTING.

Design Development
Progress Print



KEYPLAN



PROJECT NORTH

BUILDING ELEVATIONS - ENLARGED

Scale: 1/4" = 1'-0"
Job No.: 17001.00
Drawn By: JTG
Date: 03/19/17

A2-0-2